

# In Memory of Frank Livingston

Frank Harrison Livingston, 102 years of age, 5251 Bartlett Blvd., Mound, MN 55364. Died November 1st, 1992.

Frank had suffered a stroke last year and had been in Presbyterian Home of Lake Minnetonka for one year and four months. He suffered what was believed to be a small second stroke the last of October and had recovered enough so that he was resting fairly comfortably.

His son, John Livingston and wife Helen, had been with him the day before. His grandson John Livingston was there holding Frank's hand when he died quietly.

Reviewal and Memorial services were held in Minneapolis and a family group attended the commitment at Evergreen cemetery, Elk Mound, Wisconsin. Grave service was given by the Trinity United Methodist Church of Elk Mound.

Flowers were sent by Marjorie (Mrs. Francis Anderson) and her son Robert of Bellflower, California. Marjorie is the daughter of Frank's sister, Edna Livingston. Flowers also came from Frank's sons family, the Robert Livingston family of California and were from Robert's daughter, Blair and his son Craig.

Frank is survived by his two sons; six grandchildren and seven great grandchildren, the last all in California.

Memorials are to be sent to the Livingston/Watson Association, in care of Elmer Thiede, 3520 Woodbridge Lane, Portage, MI 49002. For those of you with questions, his phone is (616)323-2554. The first \$100 of memorials will be matched by John and Robert Livingston.

There is the temptation to tell the full story of Frank's life. Son of John H. Livingston and Laura Scaife; Grandson of Hugh Livingston, founder of Livingston, Wisconsin Frank and his three sisters were brought up by their grandmother Grace Mates Livingston (and what a woman she was) with help from Frank's aunt, Jenny Livingston. Frank got a teaching certificate from Platteville Normal school and taught country school. Then went to Eau Claire (9th ward) until he became principal at Elk Mound, Wisconsin where he met Laura Jessel.

The two had Western Fever and left for a new boom town in Montana. A couple of years later Frank became Superintendent of schools at Wolf Point, a post he kept for almost 25 years. His career in Education continued in western Minnesota and then St. Paul with the Grain Terminal Association for another 30 plus years. From that point on family history was his work and pleasure. Laura died in 1974, Frank lived alone on his beloved Lake Minnetonka; cooked for himself, cleaned, and wrote to his Senators and Congressman on a thrice weekly basis.

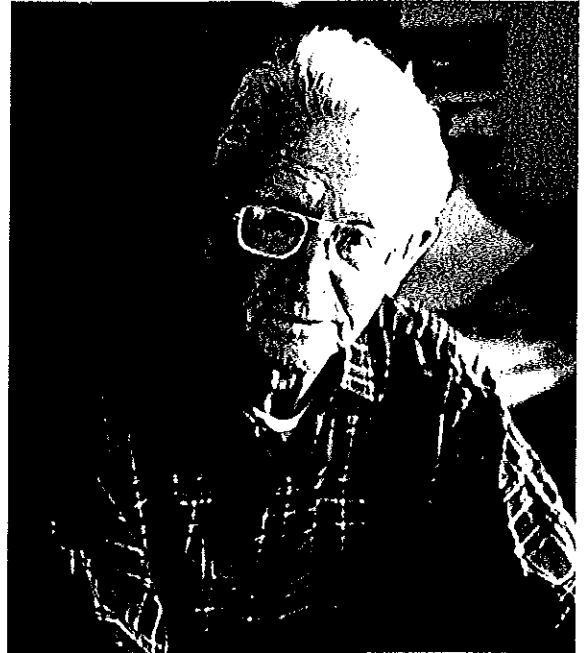
Frank was a letter writer. Many of you know that well as you no sooner wrote than you had a letter back. He was a great Father and Grandfather but never really got to know his great grandchildren well because of distance to California.

Frank was a survivor. He really meant to live to 105. But when he had the stroke and knew he had to stay in the nursing home, he once told me . . . "Guess I'm going through my Purgatory here on earth, but I never thought that you and Helen and Rand and John would be with me!"

In addition to being a valued school administrator, Frank pioneered one of the first school lunch breakfast programs in the nation with a budget of 10 cents per day per Indian child. He also started a Halloween school fair program to keep the number of privies from being tipped over. His "Farm Team" concept for starting basketball teams on road trips from 6th grade up, built an athletic reputation for Wolf Point that had it in the top of the state tournament against the much larger schools in Western Montana.

Frank and Laura Livingston were joyful Pioneers in Montana and in their many service organizations including the Masonic Order, Eastern Star Church, Farmers Union and North Dakota Boys Town. At his memorial service, it was pointed out that he set the standards and values for his own family. They will be remembered as Frank Livingston will be remembered. A few weeks before his last stroke, we talked about the 70th reunion and Frank said "I hope they will pay their dues and that a couple of hundred will turn out for the 70th."

Well, we hope to see you in Livingston.



John H. Livingston, Editor

# MEMORIALS

<b>DALE BIDDICK</b> (79) Rockford, IA World War II Army Veteran	12 JUN 92
<b>DELPHIA (GRAHAM) BIDDICK</b> (94) Fennimore, WI Wife of William Biddick	1 FEB 92
<b>MARTHA "AUNT BABE" (RUNDELL) GILMAN</b> (89) Fennimore, WI Wife of Nelson Gilman	26 OCT 91
<b>MARY (JONES) HILL</b> (78) Madison, WI Wife of Alvin Hill	24 FEB 92
<b>FLORENCE MATTHEWS</b>	
<b>JOANNE (DOLPHIN) ROSKOPF</b> Daughter of Harold and Catherine Dolphin	23 SEP 91
<b>JEANETTE (GERHKE) RUNDELL</b> (74) Amarillo, TX Wife of Keith Rundell	4 APR 92
<b>KEITH RUNDELL</b> (75) Mesa, AZ Husband of Jeanette Rundell. World War II Army Veteran.	20 MAR 92
<b>KATHRYN SANDLY</b> (78) Madison, WI Granddaughter of Hannah (Livingston) and John Nicholson	DEC 91
<b>CHARLES CLEMENT THIEDE</b> (92) Rock Rapids, IA Husband of Winnie Thiede	7 AUG 91
<b>VERNON WELLS</b> Sparta, WI Husband of Marian (Griswold) Wells	28 NOV 91

Our thanks to George (Bill) Morrow, Tulsa Oklahoma, for his financial sponsorship of printing costs for this issue.

## **MINUTES - LIVINGSTON/WATSON ASSOCIATION - AUGUST 1, 1992 69TH REUNION**

The 69th Livingston/Watson Association reunion was graced with some of the best weather possible, blue skies and temperatures in the 70's. The Memorial Service at Rock Church was led by the **Reverend Harold Zimmick** of the United Methodist Church. The Montfort Gospel Quartet, consisting of 4 singers and 1 keyboard player, delighted us with their uplifting music. Vice-President of the Association, **Harry Kitchener (Silver Spring, MD)**, presented 11 memorials. Rev. Zimmick's message was based on I Corinthians 15. Approximately 40 people attended.

The potluck dinner and business meeting followed at the United Methodist Church in town. The food was some of the best ever with a wide variety of salads. President **Jane Knutson (Livingston, WI)** called the business meeting to order. Attendees were recognized as follows:

**Verna Bregman (Dubuque, IA)**, 90 years old, was not the youngest;

**Vaudy and Lynn Skaife (Ocala, FL)** and **Don and Phyllis Hill (Carlsbad, CA)** travelled the farthest.

Treasurer **Scoop Thiede (Portage, MI)** reported on the response to the request in the '91 newsletter to keep annual membership dues up to date. Over 50 members responded with contributions bringing the Association balance to \$690 to date. Scoop expressed his appreciation for this increase in support by the members.

Secretary **Lucy Greer (Western Springs, IL)** solicited help from the members with the newsletter which has grown into a project that is really more than she and her husband can handle. She had been informed that **John Livingston (Fridley, MN)** expressed interest in editing the newsletter. That was very welcome news. Lucy suggested other parts of the newsletter that could be broken out and assigned to interested members such as feature article, children's page, printing, and mailing of the newsletter. **Rachel Brekke (Minneapolis, MN)**, **Harry Kitchener**, **Ellen Marchessault (Carol Stream, IL)**, and Mary and Scoop Thiede volunteered to help and met with Lucy after the business meeting to discuss how best to proceed.

**Jean Skaife (Cedar Key, FL)**, visited **Frank Livingston**, the family historian and 102 years old, a couple weeks before the reunion. She reported that he was in excellent care at a nursing home. Although unable to speak, she could tell that he recognized her and he nodded in reply to the mention of his many L/W cousins.

In 1975, Jean travelled to Ireland with Frank to gather family information and meet distant relatives. Jean extended greetings to the members from Frank and his son, John.

Jane Knutson conducted the election of next year's officers. Harry Kitchener was elected President; Kay Kramer was elected Vice-President. Lucy Greer and Scoop Thiede volunteered to carry on as secretary and treasurer respectively.

**Don Hill** won a door prize based on the last digits of his Social Security number.

Approximately 75 people attended the potluck and meeting.

Submitted by Lucy Greer, Secretary

# PRESIDENT'S CORNER

The one thing I remember about the reunion is that as a child I looked forward to it - that is when it lasted all weekend.

As for being past president, I can say we had a successful 69th. One thing that impresses me is that every year we see different faces.



Jane Knutson

.....

## THE LIVINGSTON/WATSON FAMILY ASSOCIATION TREASURER'S REPORT

SEPTEMBER 26, 1992

Balance brought forward	\$373.99
Dues and donations (by mail)	700.50
Dues and donations ('92 reunion)	<u>230.50</u>
	\$1304.99

Expenditures:

December 1991 Newsletter-printing/postage	\$434.62
Reunion post cards, flowers, postage etc.	145.00
Speaker at Rock Memorial (Rev. Zimmick)	15.00
Music at Rock Church (Quartet-Steve Atkinson)	30.00
Church hall and coffee maker	30.00
Janitor for United Methodist Church hall	30.00
Rock Church Memorial Society (Clean-up)	25.00
Harry Kitchener expenses (tel, memorial list copies, flowers for memorials, etc.)	<u>22.96</u>
Total Expenses	\$732.58
Balance on hand this date	\$572.41

Submitted this date by: Elmer W. (Scoop) Thiede, Treasurer

# U.S. TOWNS NAMED LIVINGSTON

Did you ever sit down with an Atlas (world or regional, it doesn't matter) and ramble from page to page and caress thoughts of "I wonder . . ." who was that place named after, or why did "they" call it that, or do you suppose that name is connected to that other name I remember? Well, one of our "cousins" surmised: "I wonder if any of the other towns or cities named Livingston were named after a Livingston as my town is."

But Joan (Livingston) Grover, formerly of Livingston, WI., now living in Arizona, is not like us other lazy louts. She did something about it. She laboriously searched listings from state to state, noting populations, and decided to carry it to the ultimate step - writing to the thirteen Livingstons (well, twelve since she knew her Wisconsin Livingston pretty well) requesting information about their "fair cities" - how the name was selected, date of founding and any other items of note.

To date she has heard from seven and as time permits she is continuing to try to "get a rise" out of the other six. Bet she'll come up with some interesting facts and stories!

Anyhow, here are the thirteen:

ALABAMA, population 3,187, 60 miles SW of Birmingham. Some of our relatives were missionaries there in the 30's.

CALIFORNIA, population 5,326, 120 miles SE of San Francisco. Incorporated in 1922. It is not really known how it's name came about, but legend has it that a telegraph operator gave it its name. Whether he used his name or named it from another Livingston is not known.

ILLINOIS, population 949, 50 miles NE of St. Louis, MO. Formerly a coal-mining town.

KENTUCKY, population 334, 60 miles South of Lexington. Established as Fish Point in 1867, changed to Livingston Station in 1879, and changed to Livingston in 1882. It was named for James Livingston who was among the first settlers.

LOUISIANA, population 1,260, 25 miles East of Baton Rouge. No response.

MONTANA, population 6,994, 25 miles East of Bozeman. Established in 1882, the Northern Pacific Railroad was built through the area, giving the town its start and later it was named Livingston after one of the two N.P. officials and neither were related. However, many famous people had at least some passing connection with the town. For instance the Lewis & Clark expedition camped in the area; Calamity Jane (Martha Jane Canary Burke to you!) lived in a log cabin on what is now South Main Street; Jim Bridger, trapper, trader, and scout of the West travelled extensively through the area.

NEW JERSEY, population 28,040 (the largest) - 15 miles NW of Newark. Established in 1813, the town was named after William Livingston, first governor of New Jersey. His descendants, the Kean family, are still active in New Jersey government, Thomas Kean being a recent governor. He resides on the family estate in the town

NEW YORK, population 270, 50 miles South of Albany. No response.

NEW YORK, Livingston Manor, population 1,436, 100 miles SE of Binghamton. No response.

SOUTH CAROLINA, population 166, 35 miles South of Columbia. No response.

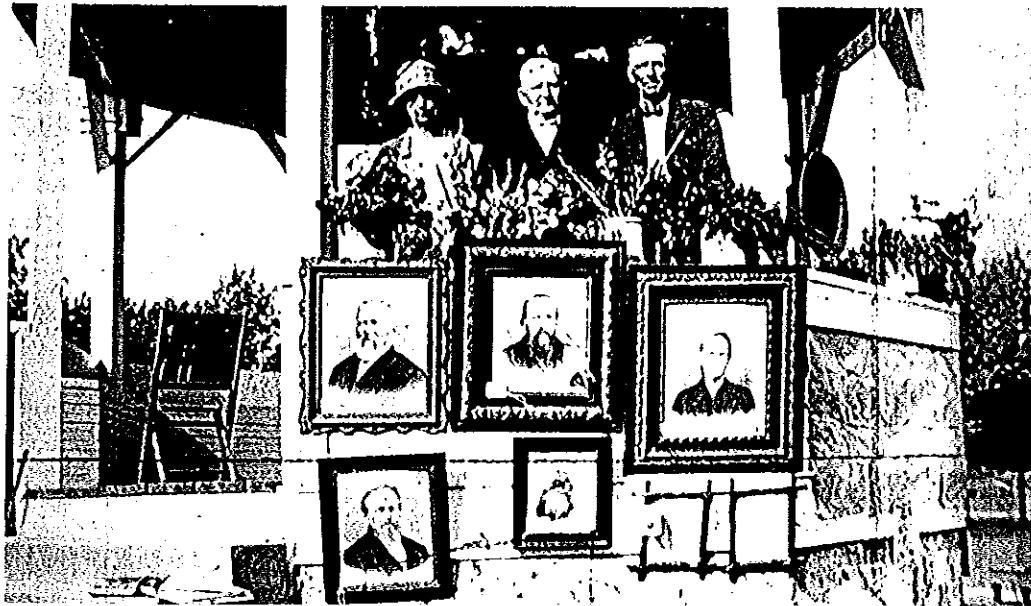
TEXAS, population 4,928, 75 miles NNE of Houston. Moses L. Cahoate from Livingston, Tennessee, started a settlement called Springfield. He offered to give the new county 100 acres if Springfield were selected as the county seat and the name of the town changed to Livingston, after his former home in Tennessee. The legislature required an election and in June 1846 Springfield was selected and the name was changed to Livingston.

WISCONSIN, population 642, EVERYBODY knows where it is!! Established c. 1846 by Hugh Livingston, grandfather of Frank Livingston of Mound, MN. Hugh gave land for a railroad stop to pick-up cream cans. He then platted some lots and started the town on the west end of his farm.

Thanks for this great research, Joan. We'll be looking forward to further responses.

Hmm! I wonder how many Watson towns there are?

# 1924 LIVINGSTON/WATSON REUNION



Left to right: Anna Burton - Secretary, Jack Watson - President,  
W.C. Livingston - Vice President

.....

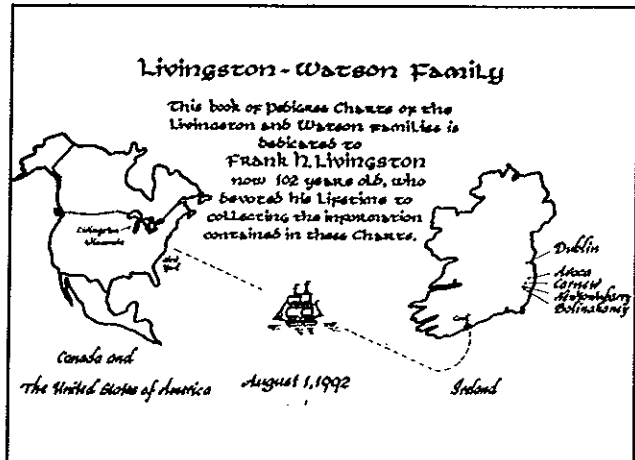


Sister & Brother Beulah Davis and Russell Hill, Platteville,  
WI. Long time attendees and past officers of the association.

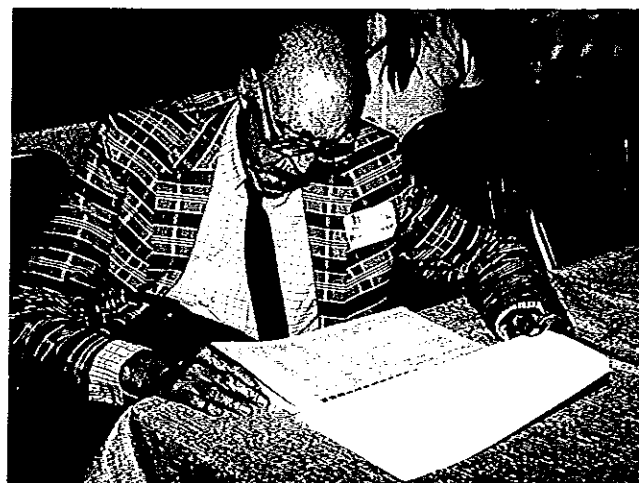
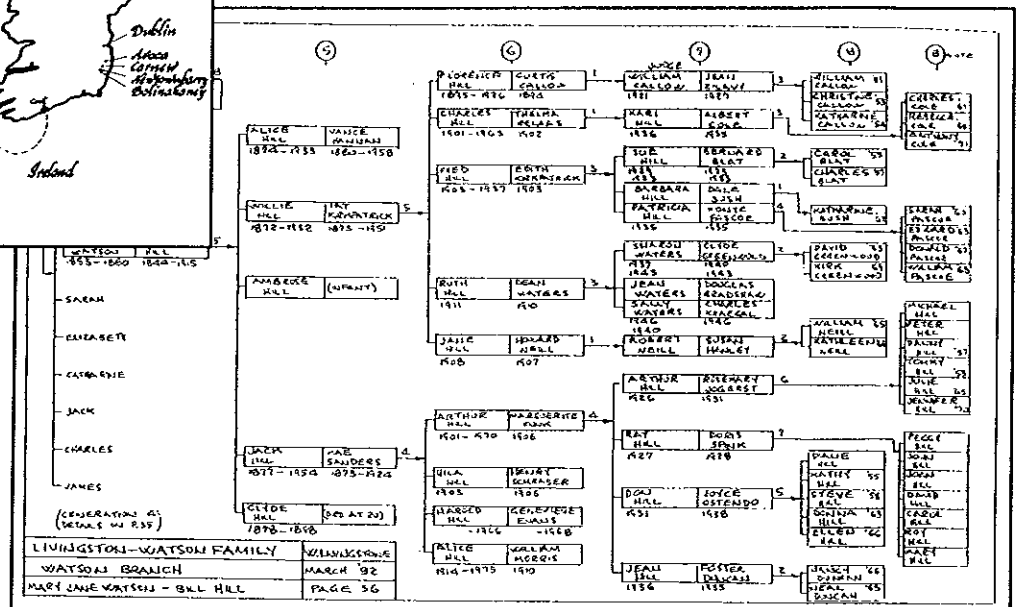
# LIVINGSTON/WATSON BOOK OF FAMILY CHARTS

Jean also mentioned that on display was a beautiful, bound copy of the Livingston/Watson family charts done in hand calligraphy by William Livingstone (Burlington, Ontario), the "latest immigrant" from Ireland. The bound copies are dedicated to Frank Livingstone, whose research provided the basis for the charts. William will send copies of the charts to anyone for \$12.00. Larger copies of a select family tree are available at a higher cost. Write William Livingstone, 598 Northshore Blvd. E., Burlington, Ontario, L7T 1X2, CANADA.

## Book Cover



## Sample Page



Nick Kramer, Fennimore, WI, examines his family tree in William Livingstone's book.

# LIVINGSTONS AND MARSHS



## **Front Row (Left to Right) All Young People**

Julie Marsh, Hillary Livingston, Kenneth Livingston, Kate Livingston, and Joey Marsh

## **Back Row (Left to Right) All Adults**

Lynn Livingston Marsh, Lucia Kiayi Livingston, Grace Livingston, and Hugh Taylor Birch Livingston



# 70th REUNION - 1993

Your response to our newsletter of December, 1991 was very encouraging, to say the least. You responded with \$700.00 of your money in dues and donations (several gifts of \$100.00 and many of \$20, \$10 & \$5 for which we say thank you very much for keeping our association alive and healthy). We need every dollar that you feel you can donate in your regular dues and an extra donation will be put to good use in our newsletters and reunions.

Remember, this is our 70th reunion year, 1993, and it should be a "Special" year and we would like our newsletter to be "Special" in addition to our reunion. Please try to plan on attending your reunion on the first Saturday of August, 1993, as it's your "Special" year (your 70th) We all have a history to be proud of and continuing our organization should be our goal. As our families increase, we want as many as possible to know of our organization, heritage and future plans into the 21st century.



Name \_\_\_\_\_

Address \_\_\_\_\_

City, State \_\_\_\_\_ Zip \_\_\_\_\_

New address \_\_\_\_\_

Dues: Single \$1.00\_\_\_ Family \$1.50\_\_\_ Other \_\_\_\_\_

Notes or news \_\_\_\_\_

To save the assoc'n postage, etc., please remove my name from mailing list: \_\_\_\_\_

**Send dues & donations to:**

Elmer "Scoop" Thiede  
3520 Woodbridge Lane  
Portage, MI 49002  
(616) 323 2554  
(make checks out to  
Livingston/Watson Association)

**Change of address and mailing list:**

Lucy Greer  
1442 Oak St.  
Western Springs, IL 60558  
(708) 246 6845  
(for mailing list (\$2) make check  
out to Lucy Greer)

**Send 1993 Memorials to:**

Kay Kramer  
1140 Grant St.  
Fennimore, WI 53809  
(608) 822 3923

**Send family information to:**

Don Hill  
3459 Pontiac Dr.  
Carlsbad, CA 92008

**Newsletter Editor: John Livingston**

6060 N.E. Stinson Blvd  
Fridley, MN 55432  
(612) 571-0743

**Photographs by: Mike Greer**

# EDITORIAL: BEGINNING OR END?

PLEASE plan to attend the 70th Livingston/Watson Association Meeting and Memorial Services in August. Memorials will be for those who have passed away in the last year, but also to remember your loved ones who are no longer with us but are remembered and loved.

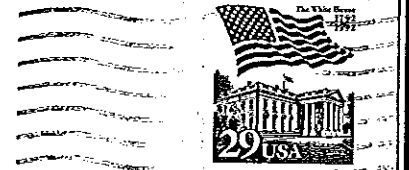
Also, I'm told there will be proposal to have the picnic every other year or every three years. It's for certain that we can't continue to mail out 450 newsletters when only 50 or 60 pay their dues and don't come to Livingston.

**Jean Scaife** will be asked to tell of her 7th Irish Journey and we hope that **William Livingston** can attend from Canada and tell us more about family tree research.

We've discovered 400 Livingstons from Livingston, Scotland who now live at Cape Breton Island, Judich, Nova Scotia. **Roger Livingston**, who lives in Las Vegas in one of their family historians and another is **Colin Livingston** at Judich.

So we hope to solve the links between Livingston, Scotland and Red Cross, Ireland. Please write and say that you will attend the 70th! **If not pay your dues anyway!**

LIVINGSTON/WATSON ASSOCIATION  
1442 Oak St.  
Western Springs, IL 60558



CHERYL & JOHN LEMANSKI  
RT. 1 BOX 71  
FENNIMORE WI 53809